

# SST HEAT EXCHANGER SPARE PARTS LIST

LISTE DES PIÈCES DÉTACHÉES  
ELENCO DEI PEZZI DI RICAMBIO

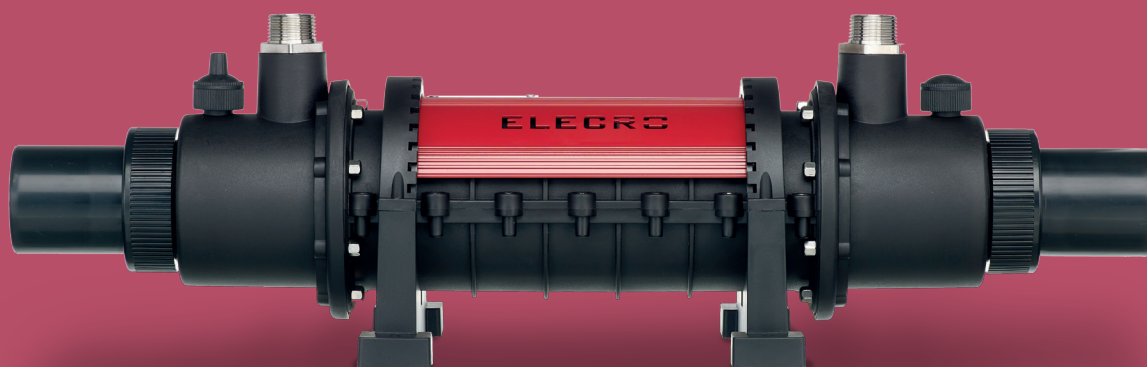
References:

SST-36

SST-50

SST-75

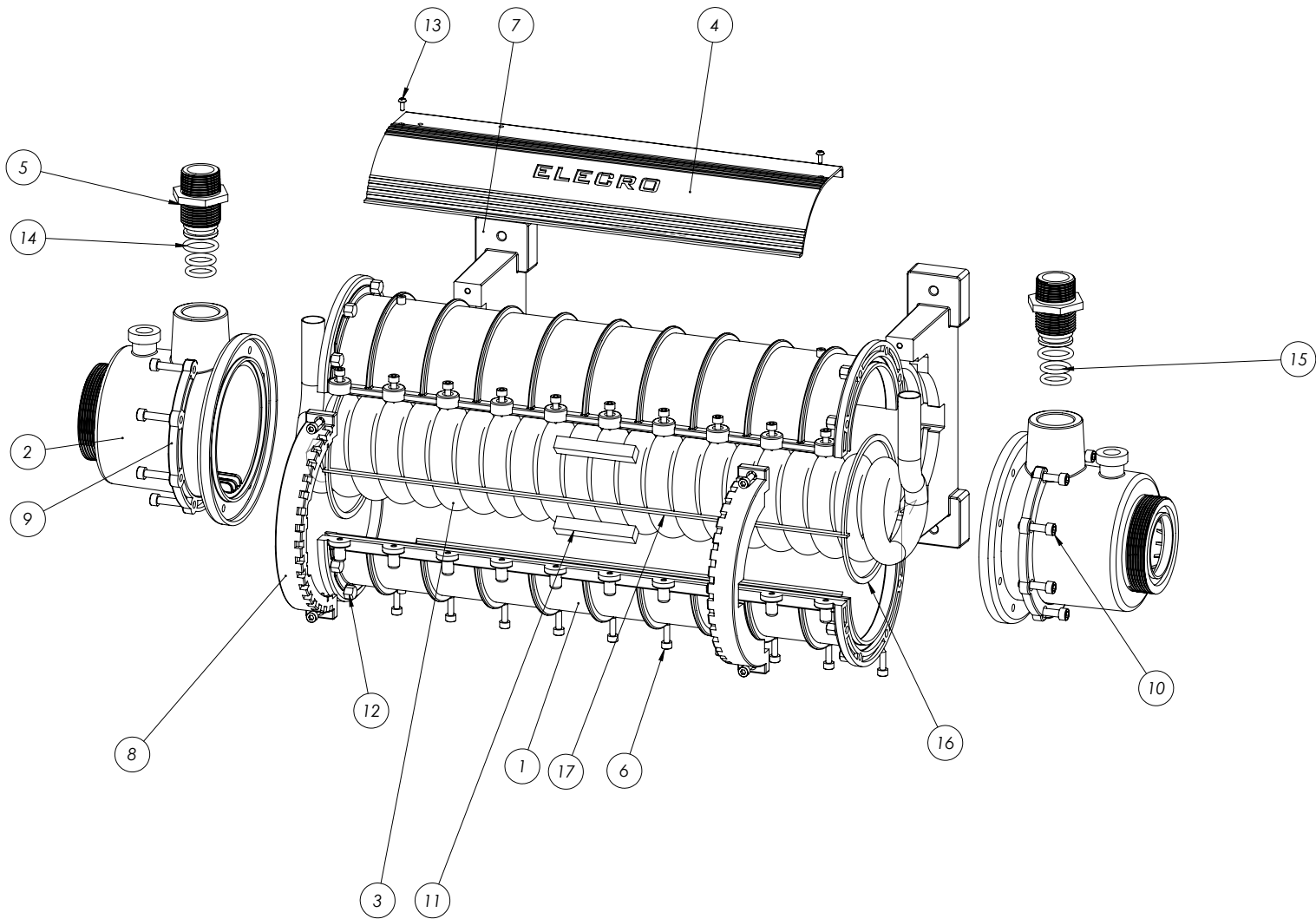
SST-95



**ELEGRS**  
ENGINEERING

Improving pools *globally.*

# SST Heat Exchanger



Item No.:	Description:	Pcs/Unit:	SST-36	SST-50	SST-75	SST-95
1	36-kW Spiral H/E Tank (Half)	2	Z-IM-SHE-T-36	Z-IM-SHE-T-50	Z-IM-SHE-T-75	Z-IM-SHE-T-95
2	Spiral H/E End Coupling	2	Z-IM-SHE-EC			
3	36-kW Titanium Spiral Tube Coil (Processed Ends)	1	X-SHE-ST-36	X-SHE-ST-50	X-SHE-ST-75	X-SHE-ST-95
4	36-kW Spiral Heat Exchanger Extruded Shell	1	Z-SMW-SHE-36	Z-SMW-SHE-50	Z-SMW-SHE-75	Z-SMW-SHE-95
5	Spiral Heat Exchanger 316L S/S Nipple	2	Z-SHE-BN			
6	M4.8x19-mm S/S Socket Cap Sef Tapping Screw	14 for SST-36 18 for SST-50 24 for SST-75 30 for SST-95	Z-FIX-M4.8X19STS-SC			
7	Spiral H/E Front Bracket	2	Z-IM-SHE-FB			
8	Spiral H/E Rear Bracket	2	Z-IM-SHE-RB			
9	Spiral H/E Bolt Flange	2	Z-IM-SHE-BF			
10	M6 x 22mm S/S Socket Cap	18	Z-FIX-M6X22-SC			
11	Titanium Coil Heat Exchanger Rubber Dumper	4	Z-IM-SHE-RD			
12	M6 S/S Cap Nut	18	Z-FIX-M6CAP			
13	M3 x 8-mm Black Pozi Pan Screw	2	Z-FIX-M3X8-BLK			
14	Plastic Heat Exchanger O-Ring Seal ID22.6mm C/s 3.6mm	2	Z-ORS-PHE-22.6MM			
15	Plastic Heat Exchanger O-Ring Seal ID18.6mm C/s 3.6mm	4	Z-ORS-PHE-18.6MM			
16	SST End Cap Gasket (EPDM)	2	Z-IM-GSK-SST-EC			
17	SST Groove Gasket 700mm (EPDM)	2	Z-IM-GSK-SST-GG-700			