

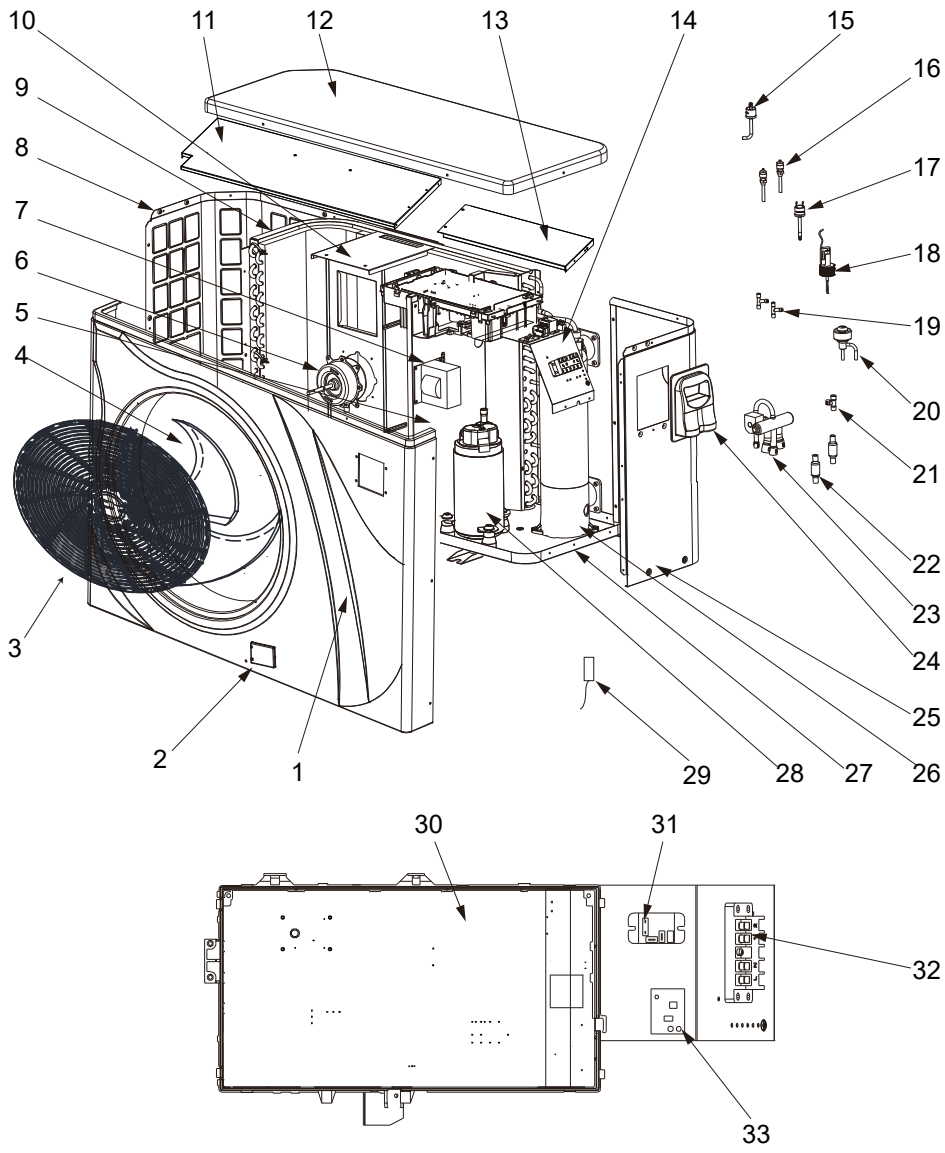
**SPARE PARTS HEAT PUMP POWERLINE INVERTER**



- FR..... P2
- EN..... P5
- PL..... P8
- UA..... P11
- DE..... P14
- NL..... P17
- IT..... P20
- RU..... P23
- SE..... P26
- NO..... P29

FR

81504 / 81514 / 81524 / 81534 / 81544



Rep	Désignation	Réf.	81504	81514	81524	81534	81544
1	Panneau Avant	HWX80900556	✓	✓	✓	n/a	n/a
		HWX80900557	n/a	n/a	n/a	✓	n/a
		HWX80900581	n/a	n/a	n/a	n/a	✓
2	Contrôleur 3 boutons	HWX95005310598	✓	✓	✓	✓	✓
3	Grille de protection ventilateur	HWX80900375	✓	✓	✓	n/a	n/a
		HWX20000220369	n/a	n/a	n/a	✓	✓
4	Hélice Ventilateur	HWX301030000006	✓	✓	✓	n/a	n/a
		HWX301030000001	n/a	n/a	n/a	✓	✓
5	/	/	/	/	/	/	/
6	Moteur ventilateur DC	HWX80200018	✓	✓	✓	n/a	n/a
		HWX20000330132	n/a	n/a	n/a	✓	✓
7	Bobine 16A 50Hz 5mH	HWX82500006	✓	✓	✓	n/a	n/a
	Bobine 20A 50Hz 5.2mH	HWX82500005	n/a	n/a	n/a	✓	✓
8	Panneau Gauche	HWX80700446	✓	✓	✓	n/a	n/a
		HWX80700315	n/a	n/a	n/a	✓	n/a
		HWX80700355	n/a	n/a	n/a	n/a	✓
9	Evaporateur à ailette	HWX301060202502	✓	n/a	n/a	n/a	n/a
		HWX80600042	n/a	✓	n/a	n/a	n/a
		HWX80600043	n/a	n/a	✓	n/a	n/a
		HWX80600044	n/a	n/a	n/a	✓	n/a
		HWX80600078	n/a	n/a	n/a	✓	n/a
10	Support Moteur	HWX80700218	✓	✓	✓	n/a	n/a
		HWX80700248	n/a	n/a	n/a	✓	n/a
		HWX80700329	n/a	n/a	n/a	n/a	✓
11	/	/	/	/	/	/	/
12	Panneau supérieur	HWX80900055	✓	✓	✓	n/a	n/a
		HWX80900255	n/a	n/a	n/a	✓	n/a
		HWX80900371	n/a	n/a	n/a	n/a	✓
13	/	/	/	/	/	/	/
14	/	/	/	/	/	/	/
15	Pressostat basse pression NO 0.30MPa/0.15MPa	HWX20000360157	✓	✓	✓	✓	✓
16	Prise de pression 40mm-1/2"	HWX20000140150	✓	✓	✓	✓	✓
17	Pressostat haute pression NC 3.2MPa/4.4MPa	HWX20013605	✓	✓	✓	✓	✓
18	Détecteur de débit d'eau	HWX83000012	✓	✓	✓	✓	✓
19	Connecteur T Ø6.5-2 x Ø6.5(T) x 0.75	HWX20001460	✓	✓	✓	✓	✓
		HWX81000011	✓	✓	✓	n/a	n/a
20	Détendeur électronique	HWX81000013	n/a	n/a	n/a	✓	✓
		HWX30403000002	✓	✓	✓	✓	✓
21	Connecteur T Ø9.52-2 xØ6.35(T) x 1.0	HWX20000140178	✓	✓	✓	n/a	n/a
		HWX20041444	n/a	n/a	n/a	✓	✓
22	Filtre Ø9.7-Ø9.7 (Ø19)	HWX20041437	✓	✓	✓	✓	✓
23	FiltreØ9.7-Ø9.7 (Ø28)	HWX320922029	✓	✓	✓	✓	✓
24	Vanne 4 voies	HWX80700445	✓	✓	✓	n/a	n/a
25	Trappe d'accès électrique	HWX80700314	n/a	n/a	n/a	✓	n/a
		HWX80700462	n/a	n/a	n/a	n/a	✓
		HWX80600037	✓	n/a	n/a	n/a	n/a
26	Condenseur Titane PVC	HWX32012120061	n/a	✓	n/a	n/a	n/a
		HWX32012120056	n/a	n/a	✓	n/a	n/a
		HWX80600096	n/a	n/a	n/a	✓	n/a
		HWX80600075	n/a	n/a	n/a	n/a	✓
27	/	/	/	/	/	/	/
28	Compresseur	HWX80100108	✓	✓	✓	n/a	n/a
	Compresseur	HWX80100003	n/a	n/a	n/a	✓	✓

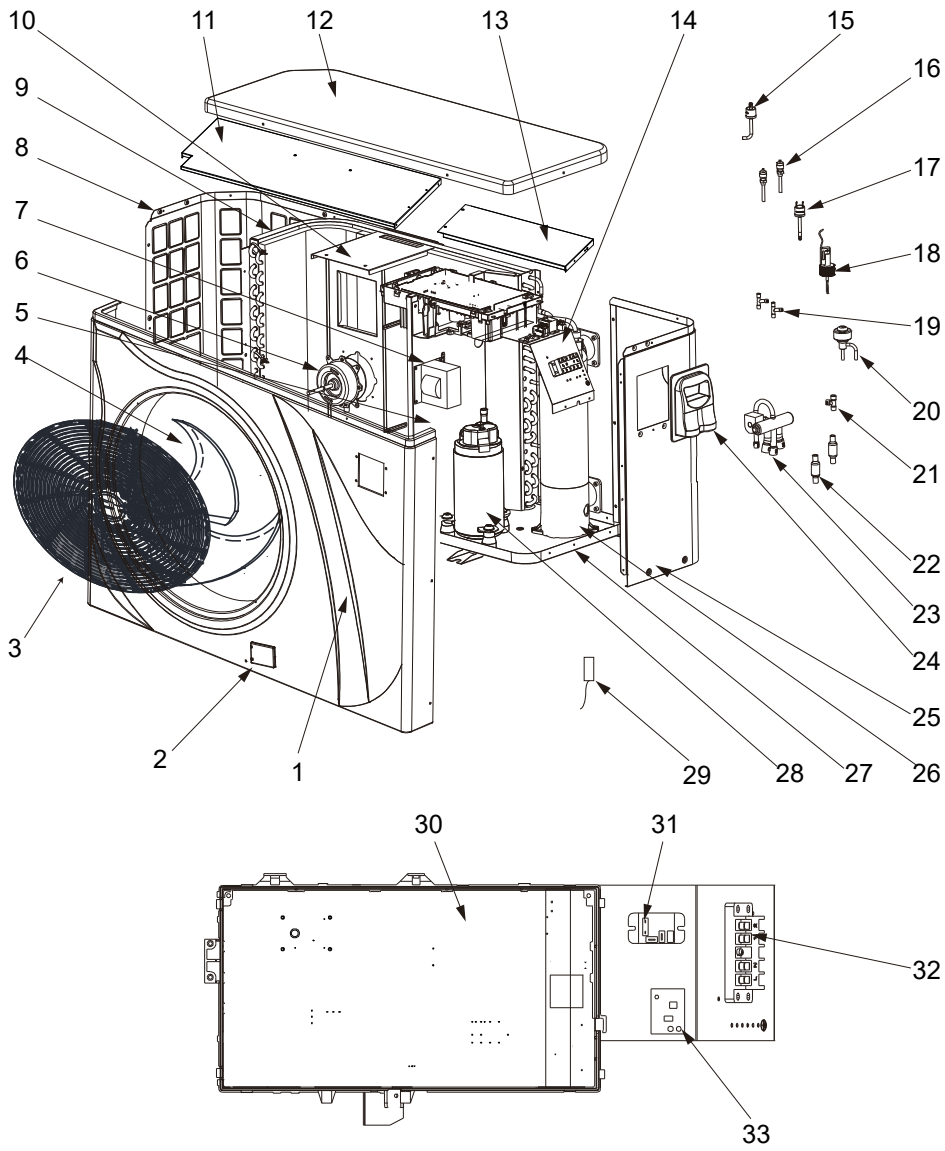
---

Rep	Désignation	Réf.	81504	81514	81524	81534	81544
29	Sonde Aspiration Compresseur 5k-560mm	HWX83000044	✓	✓	✓	n/a	n/a
	Sonde Aspiration Compresseur 5k-760mm	HWX83000053	n/a	n/a	n/a	✓	✓
	Sonde température Air 5k-350mm	HWX83000049	✓	✓	✓	✓	✓
	Sonde Sortie d'eau 5k-410mm	HWX83000050	✓	✓	✓	✓	✓
	Sonde Entrée d'eau 5k-850mm	HWX83000052	✓	✓	✓	✓	n/a
	Sonde Entrée d'eau 5k-980mm	HWX83000055	n/a	n/a	n/a	n/a	✓
	Sonde Refoulement Compresseur 50k-660mm	HWX83000026	✓	✓	✓	✓	✓
	Sonde de dégivrage 5k-680mm	HWX83000051	✓	✓	✓	n/a	n/a
	Sonde de dégivrage 5k-1040mm	HWX83000045	n/a	n/a	n/a	✓	✓
30	Carte électronique Driver	HWX82300052	✓	✓	✓	n/a	n/a
		HWX82300007	n/a	n/a	n/a	✓	✓
31	Relais K2	HWX20000360297	✓	✓	✓	✓	✓
32	Bornier L-N-GND -5 connexions 4mm <sup>2</sup>	HWX40003901	✓	✓	✓	✓	✓
33	Transformateur 230V~/12VDC	HWX82600008	✓	✓	✓	✓	✓

---

EN

81504 / 81514 / 81524 / 81534 / 81544

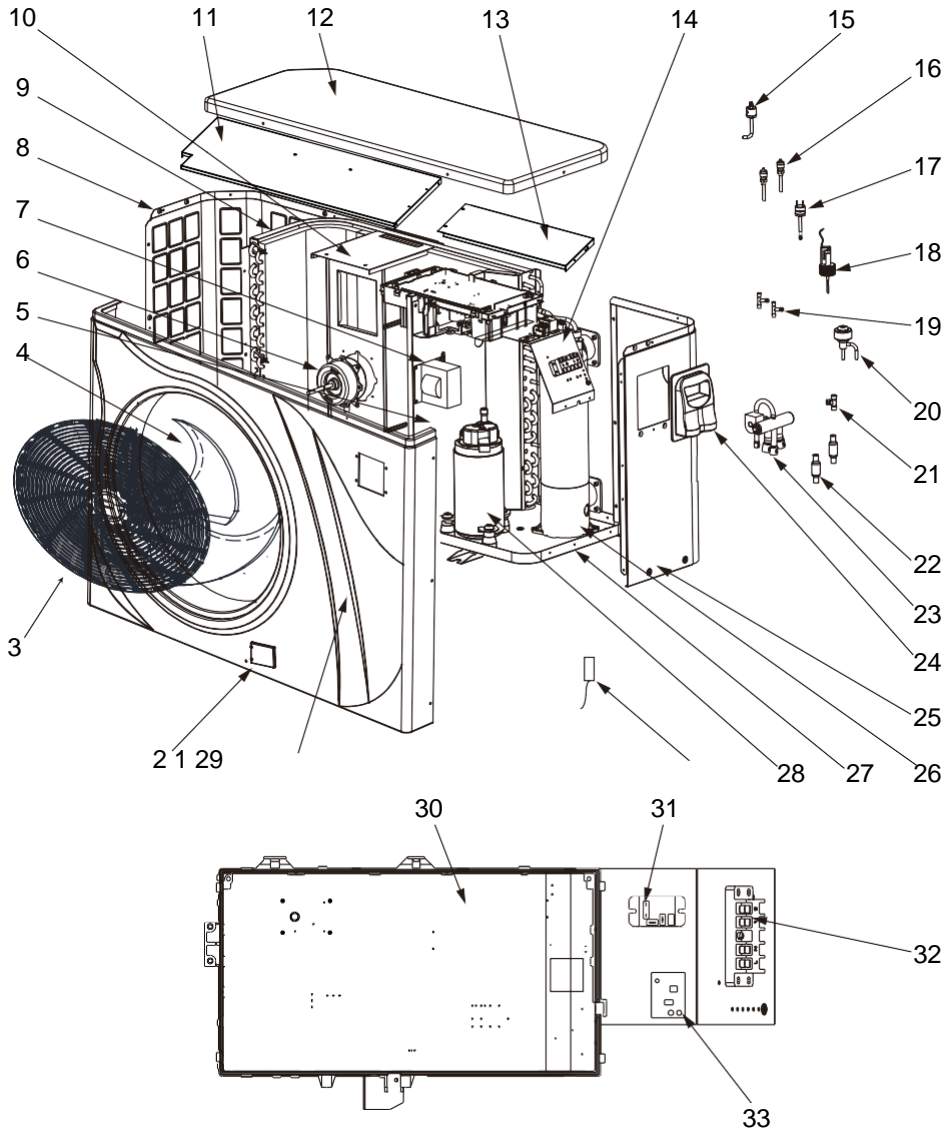


Mark	Description	Ref.	81504	81514	81524	81534	81544
1	Front panel	HWX80900556	✓	✓	✓	n/a	n/a
		HWX80900557	n/a	n/a	n/a	✓	n/a
		HWX80900581	n/a	n/a	n/a	n/a	✓
2	3-button controller	HWX95005310598	✓	✓	✓	✓	✓
3	Fan protection grille	HWX80900375	✓	✓	✓	n/a	n/a
		HWX20000220369	n/a	n/a	n/a	✓	✓
4	Fan blade	HWX301030000006	✓	✓	✓	n/a	n/a
		HWX301030000001	n/a	n/a	n/a	✓	✓
5	/	/	/	/	/	/	/
6	DC ventilator motor	HWX80200018	✓	✓	✓	n/a	n/a
		HWX20000330132	n/a	n/a	n/a	✓	✓
7	16A 50Hz 5mH Coil	HWX82500006	✓	✓	✓	n/a	n/a
	20A 50Hz 5.2mH Coil	HWX82500005	n/a	n/a	n/a	✓	✓
8	Left panel	HWX80700446	✓	✓	✓	n/a	n/a
		HWX80700315	n/a	n/a	n/a	✓	n/a
		HWX80700355	n/a	n/a	n/a	n/a	✓
9	Fin coil	HWX301060202502	✓	n/a	n/a	n/a	n/a
		HWX80600042	n/a	✓	n/a	n/a	n/a
		HWX80600043	n/a	n/a	✓	n/a	n/a
		HWX80600044	n/a	n/a	n/a	✓	n/a
		HWX80600078	n/a	n/a	n/a	✓	✓
10	Motor bracket	HWX80700218	✓	✓	✓	n/a	n/a
		HWX80700248	n/a	n/a	n/a	✓	n/a
		HWX80700329	n/a	n/a	n/a	n/a	✓
11	/	/	/	/	/	/	/
12	Top cover	HWX80900055	✓	✓	✓	n/a	n/a
		HWX80900255	n/a	n/a	n/a	✓	n/a
		HWX80900371	n/a	n/a	n/a	n/a	✓
13	/	/	/	/	/	/	/
14	/	/	/	/	/	/	/
15	Low pressure switch NO 0.30MPa/0.15MPa	HWX20000360157	✓	✓	✓	✓	✓
16	Pressure Tap 40mm 1/2"	HWX20000140150	✓	✓	✓	✓	✓
17	High pressure switch NC 3.2MPa/4.4MPa	HWX20013605	✓	✓	✓	✓	✓
18	Water flow detector	HWX83000012	✓	✓	✓	✓	✓
19	T connector Ø6.5-2 x Ø6.5(T) x 0.75	HWX20001460	✓	✓	✓	✓	✓
20	Electronic expansion valve	HWX81000011	✓	✓	✓	n/a	n/a
		HWX81000013	n/a	n/a	n/a	✓	✓
21	T connector Ø9.52-2 xØ6.35(T) x 1.0	HWX30403000002	✓	✓	✓	✓	✓
22	Filter Ø9.7 - Ø9.7 (Ø19)	HWX20000140178	✓	✓	✓	n/a	n/a
	Filter Ø9.7 - Ø9.7 (Ø28)	HWX20041444	n/a	n/a	n/a	✓	✓
23	4 ways valve	HWX20041437	✓	✓	✓	✓	✓
24	Access hatch	HWX320922029	✓	✓	✓	✓	✓
25	Right panel	HWX80700445	✓	✓	✓	n/a	n/a
		HWX80700314	n/a	n/a	n/a	✓	n/a
		HWX80700462	n/a	n/a	n/a	n/a	✓
26	Titanium / PVC condenser	HWX80600037	✓	n/a	n/a	n/a	n/a
		HWX32012120061	n/a	✓	n/a	n/a	n/a
		HWX32012120056	n/a	n/a	✓	n/a	n/a
		HWX80600096	n/a	n/a	n/a	✓	n/a
		HWX80600075	n/a	n/a	n/a	n/a	✓
27	/	/	/	/	/	/	/
28	Compressor	HWX80100108	✓	✓	✓	n/a	n/a
	Compressor	HWX80100003	n/a	n/a	n/a	✓	✓

Mark	Description	Ref.	81504	81514	81524	81534	81544
29	Compressor aspiration sensor 5k-560mm	HWX83000044	✓	✓	✓	n/a	n/a
	Compressor aspiration sensor 5k-760mm	HWX83000053	n/a	n/a	n/a	✓	✓
	Ambiente temp sensor 5k-350mm	HWX83000049	✓	✓	✓	✓	✓
	Water outlet sensor 5k-410mm	HWX83000050	✓	✓	✓	✓	✓
	Water inlet sensor 5k-850mm	HWX83000052	✓	✓	✓	✓	n/a
	Water inlet sensor 5k-980mm	HWX83000055	n/a	n/a	n/a	n/a	✓
	Compressor discharge probe 50k-660mm	HWX83000026	✓	✓	✓	✓	✓
	De-icing sensor 5k-680mm	HWX83000051	✓	✓	✓	n/a	n/a
	De-icing sensor 5k-1040mm	HWX83000045	n/a	n/a	n/a	✓	✓
30	Printed circuit board Driver	HWX82300052	✓	✓	✓	n/a	n/a
		HWX82300007	n/a	n/a	n/a	✓	✓
31	K2 relay	HWX20000360297	✓	✓	✓	✓	✓
32	Terminal block L-N-GND -5 connections 4mm <sup>2</sup>	HWX40003901	✓	✓	✓	✓	✓
33	230V~/12VDC transformer	HWX82600008	✓	✓	✓	✓	✓

PL

81504 / 81514 / 81524 / 81534 / 81544



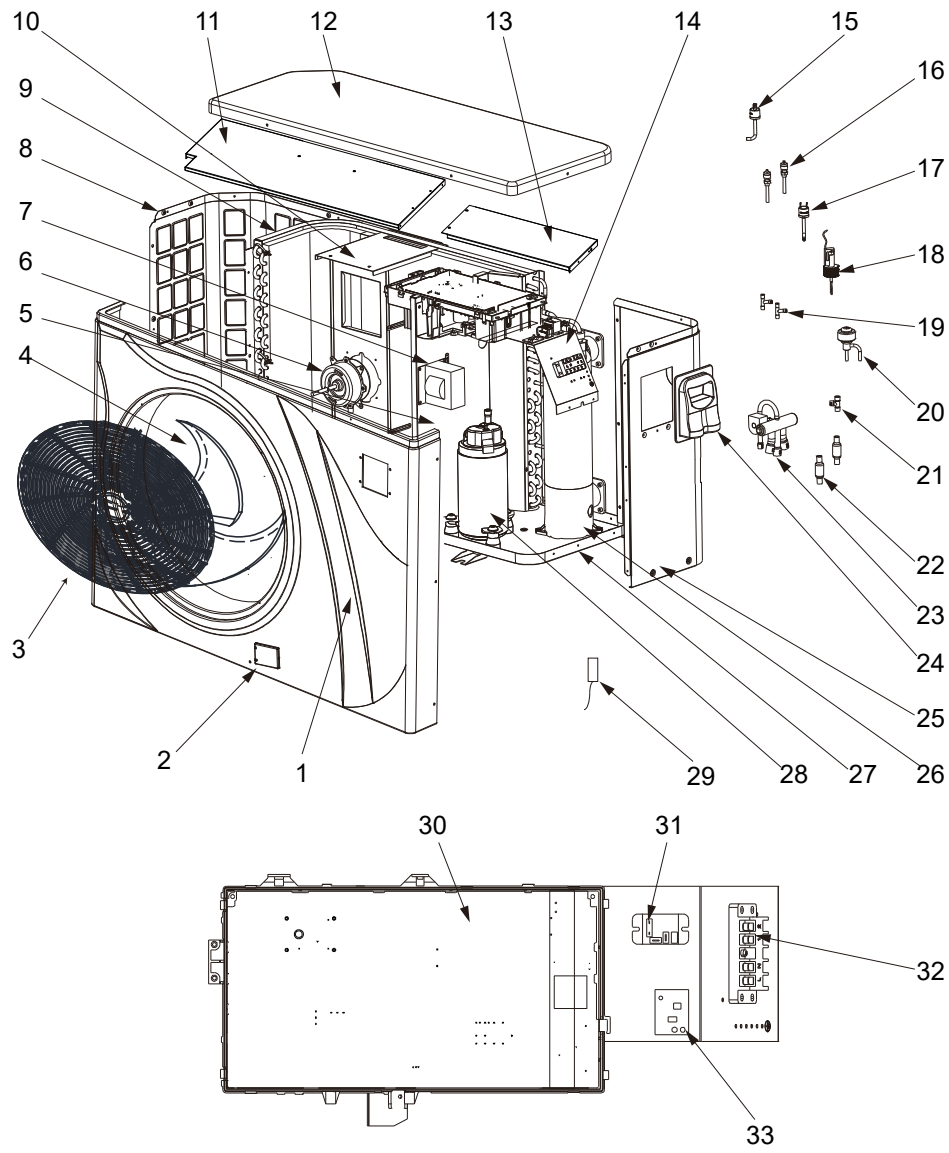


Nr	Nazwa	Numer referencyjny	81504	81514	81524	81534	81544
1	Panel przedni	HWX80900556	✓	✓	✓	nd.	nd.
		HWX80900557	nd.	nd.	nd.	✓	nd.
		HWX80900581	nd.	nd.	nd.	nd.	✓
2	Sterownik z 3 przyciskami	HWX95005310598	✓	✓	✓	✓	✓
3	Siatka ochronna wentylatora	HWX80900375	✓	✓	✓	nd.	nd.
		HWX20000220369	nd.	nd.	nd.	✓	✓
4	Śruba wentylatora	HWX301030000006	✓	✓	✓	nd.	nd.
		HWX301030000001	nd.	nd.	nd.	✓	✓
5	/	/	/	/	/	/	/
6	Silnik wentylatora prądu stałego	HWX80200018	✓	✓	✓	nd.	nd.
		HWX20000330132	nd.	nd.	nd.	✓	✓
7	Cewka 16A 50Hz 5mHn Cewka 20 A 50 Hz 5.2 mH	HWX82500006	✓	✓	✓	nd.	nd.
		HWX82500005	nd.	nd.	nd.	✓	✓
8	Panel lewy	HWX80700446	✓	✓	✓	nd.	nd.
		HWX80700315	nd.	nd.	nd.	✓	nd.
		HWX80700355	nd.	nd.	nd.	nd.	✓
9	Parownik płytowy	HWX301060202502	✓	nd.	nd.	nd.	nd.
		HWX80600042	nd.	✓	nd.	nd.	nd.
		HWX80600043	nd.	nd.	✓	nd.	nd.
		HWX80600044	nd.	nd.	nd.	✓	nd.
		HWX80600078	nd.	nd.	nd.	nd.	✓
10	Wsparcie silnika	HWX80700218	✓	✓	✓	nd.	nd.
		HWX80700248	nd.	nd.	nd.	✓	nd.
		HWX80700329	nd.	nd.	nd.	nd.	✓
11	/	/	/	/	/	/	/
12	Górny panel przedni	HWX80900055	✓	✓	✓	nd.	nd.
		HWX80900255	nd.	nd.	nd.	✓	nd.
		HWX80900371	nd.	nd.	nd.	nd.	✓
13	/	/	/	/	/	/	/
14	/	/	/	/	/	/	/
15	Przełącznik niskiego ciśnienia NO 0.30 mPa/0.15 mPa	HWX20000360157	✓	✓	✓	✓	✓
16	Pomiary ciśnienia 40 mm 1/2"	HWX20000140150	✓	✓	✓	✓	✓
17	Przełącznik wysokiego ciśnienia NC 3.2 mPa/4.4 mPa	HWX20013605	✓	✓	✓	✓	✓
18	Detektor przepustowości	HWX83000012	✓	✓	✓	✓	✓
19	Złącze typu T Ø6.5-2 x Ø6.5(T) x 0.75	HWX20001460	✓	✓	✓	✓	✓
20	Elektroniczna skrzynia biegów	HWX81000011	✓	✓	✓	nd.	nd.
		HWX81000013	nd.	nd.	nd.	✓	✓
21	Złącze typu T Ø9.52-2 xØ6.35(T) x 1.0	HWX30403000002	✓	✓	✓	✓	✓
22	Filtr Ø9.7 - Ø9.7 (Ø19) Filtr Ø9.7 - Ø9.7 (Ø28)	HWX20000140178	✓	✓	✓	nd.	nd.
		HWX20041444	nd.	nd.	nd.	✓	✓
23	Zawór 4-drogowy	HWX20041437	✓	✓	✓	✓	✓
24	Właz dostępu	HWX320922029	✓	✓	✓	✓	✓
25	Panel prawy	HWX80700445	✓	✓	✓	nd.	nd.
		HWX80700314	nd.	nd.	nd.	✓	nd.
		HWX80700462	nd.	nd.	nd.	nd.	✓
26	Kondensator Tytan / PVC	HWX80600037	✓	nd.	nd.	nd.	nd.
		HWX32012120061	nd.	✓	nd.	nd.	nd.
		HWX32012120056	nd.	nd.	✓	nd.	nd.
		HWX80600096	nd.	nd.	nd.	✓	nd.
		HWX80600075	nd.	nd.	nd.	nd.	✓
27	/	/	/	/	/	/	/
28	Sprężarka	HWX80100108	✓	✓	✓	nd.	nd.
	Sprężarka	HWX80100003	nd.	nd.	nd.	✓	✓

Nr	Nazwa	Numer referencyjny	81504	81514	81524	81534	81544
29	Czujnik zasysania sprężarki 5k-560mm	HWX83000044	✓	✓	✓	nd.	nd.
	Czujnik zasysania sprężarki 5k-760mm	HWX83000053	nd.	nd.	nd.	✓	✓
	Czujnik temperatury powietrza 5k-350mm	HWX83000049	✓	✓	✓	✓	✓
	Czujnik wody na wylocie 5k-410mm	HWX83000050	✓	✓	✓	✓	✓
	Czujnik wody na wlocie 5k-850mm	HWX83000052	✓	✓	✓	✓	nd.
	Czujnik wody na wlocie 5k-950mm	HWX83000055	nd.	nd.	nd.	nd.	✓
	Czujnik tłoczenia sprężarki 50k-660mm	HWX83000026	✓	✓	✓	✓	✓
	Czujnik odszraniania 5k-680mm	HWX83000051	✓	✓	✓	nd.	nd.
	Czujnik odszraniania 5k-1040mm	HWX83000045	nd.	nd.	nd.	✓	✓
30	Elektroniczna płytki sterownika	HWX82300052	✓	✓	✓	nd.	nd.
		HWX82300007	nd.	nd.	nd.	✓	✓
31	Przełącznik K2		✓	✓	✓	✓	✓
32	Listwa zaciskowa L-N-GND -5 styków 4 mm <sup>2</sup>	HWX40003901	✓	✓	✓	✓	✓
33	Transformator 230 V / 12 VDC	HWX82600008	✓	✓	✓	✓	✓

UA

81504 / 81514 / 81524 / 81534 / 81544



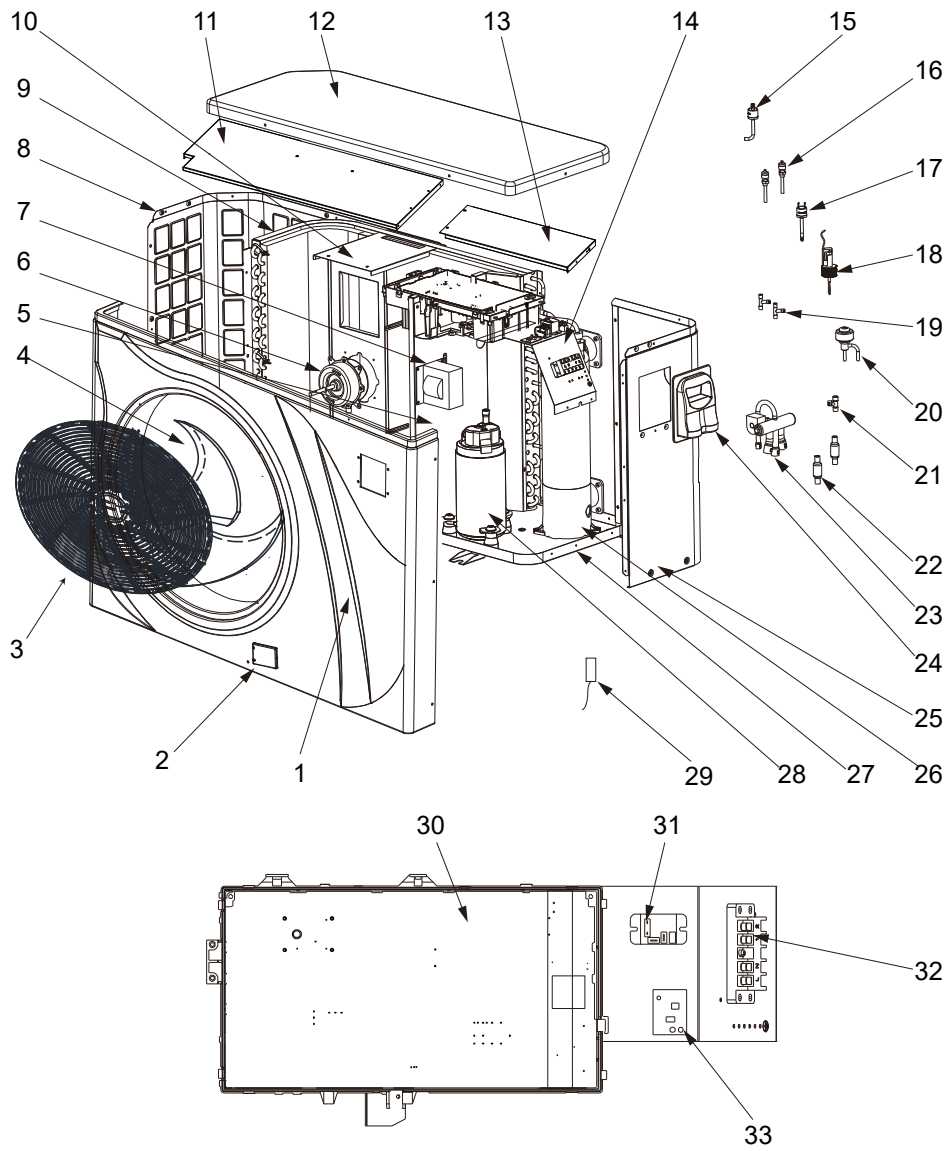
№	Назва	Довідковий номер	81504	81514	81524	81534	81544
1	Панель передня	HWX80900556	✓	✓	✓	н/д	н/д
		HWX80900557	н/д	н/д	н/д	✓	н/д
		HWX80900581	н/д	н/д	н/д	н/д	✓
2	3-кноповий контролер	HWX95005310598	✓	✓	✓	✓	✓
3	Захисна сітка вентилятору	HWX80900375	✓	✓	✓	н/д	н/д
		HWX20000220369	н/д	н/д	н/д	✓	✓
4	Гвинт вентилятору	HWX301030000006	✓	✓	✓	н/д	н/д
		HWX301030000001	н/д	н/д	н/д	✓	✓
5	/	/	/	/	/	/	/
6	Двигун вентилятору DC	HWX80200018	✓	✓	✓	н/д	н/д
		HWX20000330132	н/д	н/д	н/д	✓	✓
7	Катушка 16А 50Гц 5мГн Катушка 20 А 50 Гц 5.2 мГн	HWX82500006	✓	✓	✓	н/д	н/д
		HWX82500005	н/д	н/д	н/д	✓	✓
8	Ліва панель	HWX80700446	✓	✓	✓	н/д	н/д
		HWX80700315	н/д	н/д	н/д	✓	н/д
		HWX80700355	н/д	н/д	н/д	н/д	✓
9	Пластинчастий випарник	HWX301060202502	✓	н/д	н/д	н/д	н/д
		HWX80600042	н/д	✓	н/д	н/д	н/д
		HWX80600043	н/д	н/д	✓	н/д	н/д
		HWX80600044	н/д	н/д	н/д	✓	н/д
		HWX80600078	н/д	н/д	н/д	н/д	✓
10	Опора двигуна	HWX80700218	✓	✓	✓	н/д	н/д
		HWX80700248	н/д	н/д	н/д	✓	н/д
		HWX80700329	н/д	н/д	н/д	н/д	✓
11	/	/	/	/	/	/	/
12	Верхня передня панель	HWX80900055	✓	✓	✓	н/д	н/д
		HWX80900255	н/д	н/д	н/д	✓	н/д
		HWX80900371	н/д	н/д	н/д	н/д	✓
13	/	/	/	/	/	/	/
14	/	/	/	/	/	/	/
15	Реле низького тиску NO 0.30мПа/0.15мПа	HWX20000360157	✓	✓	✓	✓	✓
16	Заміри тиску 40 мм 1/2"	HWX20000140150	✓	✓	✓	✓	✓
17	Реле високого тиску NC 3.2мПа/4.4мПа	HWX20013605	✓	✓	✓	✓	✓
18	Детектор пропускнуої здатності	HWX83000012	✓	✓	✓	✓	✓
19	T-подібний конектор Ø6.5-2 x Ø6.5(T) x 0.75	HWX20001460	✓	✓	✓	✓	✓
20	Електронний редуктор	HWX81000011	✓	✓	✓	н/д	н/д
		HWX81000013	н/д	н/д	н/д	✓	✓
21	T-подібний конектор Ø9.52-2 x Ø6.35(T) x 1.0	HWX30403000002	✓	✓	✓	✓	✓
22	Фільтр Ø9.7 - Ø9.7 (Ø19)	HWX20000140178	✓	✓	✓	н/д	н/д
	Фільтр Ø9.7 - Ø9.7 (Ø28)	HWX20041444	н/д	н/д	н/д	✓	✓
23	4-ходовий клапан	HWX20041437	✓	✓	✓	✓	✓
24	Люк для доступу	HWX320922029	✓	✓	✓	✓	✓
25	Права панель	HWX80700445	✓	✓	✓	н/д	н/д
		HWX80700314	н/д	н/д	н/д	✓	н/д
		HWX80700462	н/д	н/д	н/д	н/д	✓
26	Конденсатор Titane / PVC	HWX80600037	✓	н/д	н/д	н/д	н/д
		HWX32012120061	н/д	✓	н/д	н/д	н/д
		HWX32012120056	н/д	н/д	✓	н/д	н/д
		HWX80600096	н/д	н/д	н/д	✓	н/д
		HWX80600075	н/д	н/д	н/д	н/д	✓
27	/	/	/	/	/	/	/
28	Компресор	HWX80100108	✓	✓	✓	н/д	н/д
		HWX80100003	н/д	н/д	н/д	✓	✓

№	Назва	Довідковий номер	81504	81514	81524	81534	81544
29	Датчик всмоктування компресору 5к-560мм	HWX83000044	✓	✓	✓	н/д	н/д
	Датчик всмоктування компресору 5к-760мм	HWX83000053	н/д	н/д	н/д	✓	✓
	Датчик температури повітря 5к-350мм	HWX83000049	✓	✓	✓	✓	✓
	Датчик води на виході 5к-410мм	HWX83000050	✓	✓	✓	✓	✓
	Датчик води на вході 5к-850мм	HWX83000052	✓	✓	✓	✓	н/д
	Датчик води на вході 5к-980мм	HWX83000055	н/д	н/д	н/д	н/д	✓
	Датчик нагнітання компресору 50к-660мм	HWX83000026	✓	✓	✓	✓	✓
	Датчик розморожування 5к-680мм	HWX83000051	✓	✓	✓	н/д	н/д
30	Електронна плата драйвера	HWX82300052	✓	✓	✓	н/д	н/д
		HWX82300007	н/д	н/д	н/д	✓	✓
31	Реле К2	HWX20000360297	✓	✓	✓	✓	✓
32	Клемна колодка L-N-GND -5 контактів в мм <sup>2</sup>	HWX40003901	✓	✓	✓	✓	✓
33	Трансформатор 230 В~/12 ВDC	HWX82600008	✓	✓	✓	✓	✓

---

**AL**

**81504 / 81514 / 81524 / 81534 / 81544**



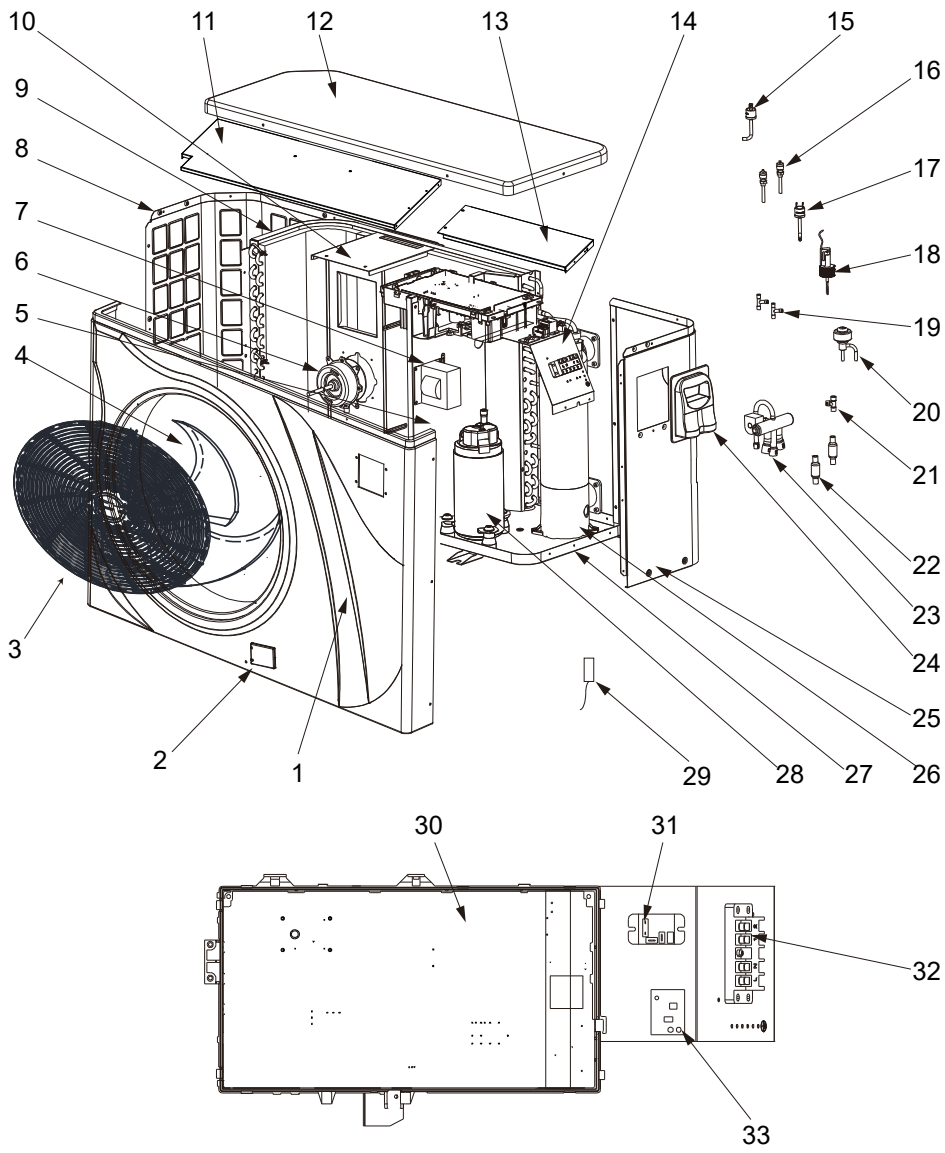
Nr	Beschreibung	Ref.	81504	81514	81524	81534	81544
1	Schild Vorne	HWX80900556	✓	✓	✓	n/a	n/a
		HWX80900557	n/a	n/a	n/a	✓	n/a
		HWX80900581	n/a	n/a	n/a	n/a	✓
2	Regler mit drei Tasten	HWX95005310598	✓	✓	✓	✓	✓
3	Schutzgitter des Gebläses	HWX80900375	✓	✓	✓	n/a	n/a
		HWX20000220369	n/a	n/a	n/a	✓	✓
4	Gebläsepropeller	HWX301030000006	✓	✓	✓	n/a	n/a
		HWX301030000001	n/a	n/a	n/a	✓	✓
5	/	/	/	/	/	/	/
6	Motor Ventilator DC	HWX80200018	✓	✓	✓	n/a	n/a
		HWX20000330132	n/a	n/a	n/a	✓	✓
7	Wicklung 16A 50Hz 5mH	HWX82500006	✓	✓	✓	n/a	n/a
	Wicklung 20A 50Hz 5.2mH	HWX82500005	n/a	n/a	n/a	✓	✓
8	Linkes Schild	HWX80700446	✓	✓	✓	n/a	n/a
		HWX80700315	n/a	n/a	n/a	✓	n/a
		HWX80700355	n/a	n/a	n/a	n/a	✓
9	Flügelevaporator	HWX301060202502	✓	n/a	n/a	n/a	n/a
		HWX80600042	n/a	✓	n/a	n/a	n/a
		HWX80600043	n/a	n/a	✓	n/a	n/a
		HWX80600044	n/a	n/a	n/a	✓	n/a
		HWX80600078	n/a	n/a	n/a	n/a	✓
10	Motorträger	HWX80700218	✓	✓	✓	n/a	n/a
		HWX80700248	n/a	n/a	n/a	✓	n/a
		HWX80700329	n/a	n/a	n/a	n/a	✓
11	/	/	/	/	/	/	/
12	Obere Frontplatte	HWX80900055	✓	✓	✓	n/a	n/a
		HWX80900255	n/a	n/a	n/a	✓	n/a
		HWX80900371	n/a	n/a	n/a	n/a	✓
13	/	/	/	/	/	/	/
14	/	/	/	/	/	/	/
15	Druckregler Niederdruck NO 0.30MPa/0.15MPa	HWX20000360157	✓	✓	✓	✓	✓
16	Druckanschluss 40 mm 1/2"	HWX20000140150	✓	✓	✓	✓	✓
17	Druckregler Hochdruck NC 3.2MPa/4.4MPa	HWX20013605	✓	✓	✓	✓	✓
18	Sensor des Wasserdurchsatzes	HWX83000012	✓	✓	✓	✓	✓
19	T-Stecker Ø6.5-2 x Ø6.5(T) x 0.75	HWX20001460	✓	✓	✓	✓	✓
20	Elektronischer Sensor	HWX81000011	✓	✓	✓	n/a	n/a
		HWX81000013	n/a	n/a	n/a	✓	✓
21	T-Stecker Ø9.52-2 xØ6.35(T) x 1.0	HWX30403000002	✓	✓	✓	✓	✓
22	Filter Ø9.7 - Ø9.7 (Ø19)	HWX20000140178	✓	✓	✓	n/a	n/a
	Filter Ø9.7 - Ø9.7 (Ø28)	HWX20041444	n/a	n/a	n/a	✓	✓
23	4-Wege-Ventil	HWX20041437	✓	✓	✓	✓	✓
24	Stromanschlussklappe	HWX320922029	✓	✓	✓	✓	✓
25	Rechtes Schild	HWX80700445	✓	✓	✓	n/a	n/a
		HWX80700314	n/a	n/a	n/a	✓	n/a
		HWX80700462	n/a	n/a	n/a	n/a	✓
26	Titan / PVC--Kondensator	HWX80600037	✓	n/a	n/a	n/a	n/a
		HWX32012120061	n/a	✓	n/a	n/a	n/a
		HWX32012120056	n/a	n/a	✓	n/a	n/a
		HWX80600096	n/a	n/a	n/a	✓	n/a
		HWX80600075	n/a	n/a	n/a	n/a	✓
27	/	/	/	/	/	/	/
28	Kompressor	HWX80100108	✓	✓	✓	n/a	n/a
	Kompressor	HWX80100003	n/a	n/a	n/a	✓	✓

Nr	Beschreibung	Ref.	81504	81514	81524	81534	81544
29	Saugsonde des Kompressors 5k-560mm	HWX83000044	✓	✓	✓	n/a	n/a
	Saugsonde des Kompressors 5k-760mm	HWX83000053	n/a	n/a	n/a	✓	✓
	Lufttemperatursensor 5k-350mm	HWX83000049	✓	✓	✓	✓	✓
	Sensor des Wasserauslasses 5k-410mm	HWX83000050	✓	✓	✓	✓	✓
	Sensor des Wassereinlasses 5k-850mm	HWX83000052	✓	✓	✓	✓	n/a
	Sensor des Wassereinlasses 5k-980mm	HWX83000055	n/a	n/a	n/a	n/a	✓
	Abgabekompressorsensor 50k-660mm	HWX83000026	✓	✓	✓	✓	✓
	Abtausonde 5k-680mm	HWX83000051	✓	✓	✓	n/a	n/a
	Abtausonde 5k-1040mm	HWX83000045	n/a	n/a	n/a	✓	✓
30	Elektronische Treiberkarte	HWX82300052	✓	✓	✓	n/a	n/a
		HWX82300007	n/a	n/a	n/a	✓	✓
31	Relais K2	HWX20000360297	✓	✓	✓	✓	✓
32	Klemmleiste L-N-GND -5 Anschlüssen 4mm <sup>2</sup>	HWX40003901	✓	✓	✓	✓	✓
33	Transformator 230V~/12VDC	HWX82600008	✓	✓	✓	✓	✓



NL

81504 / 81514 / 81524 / 81534 / 81544

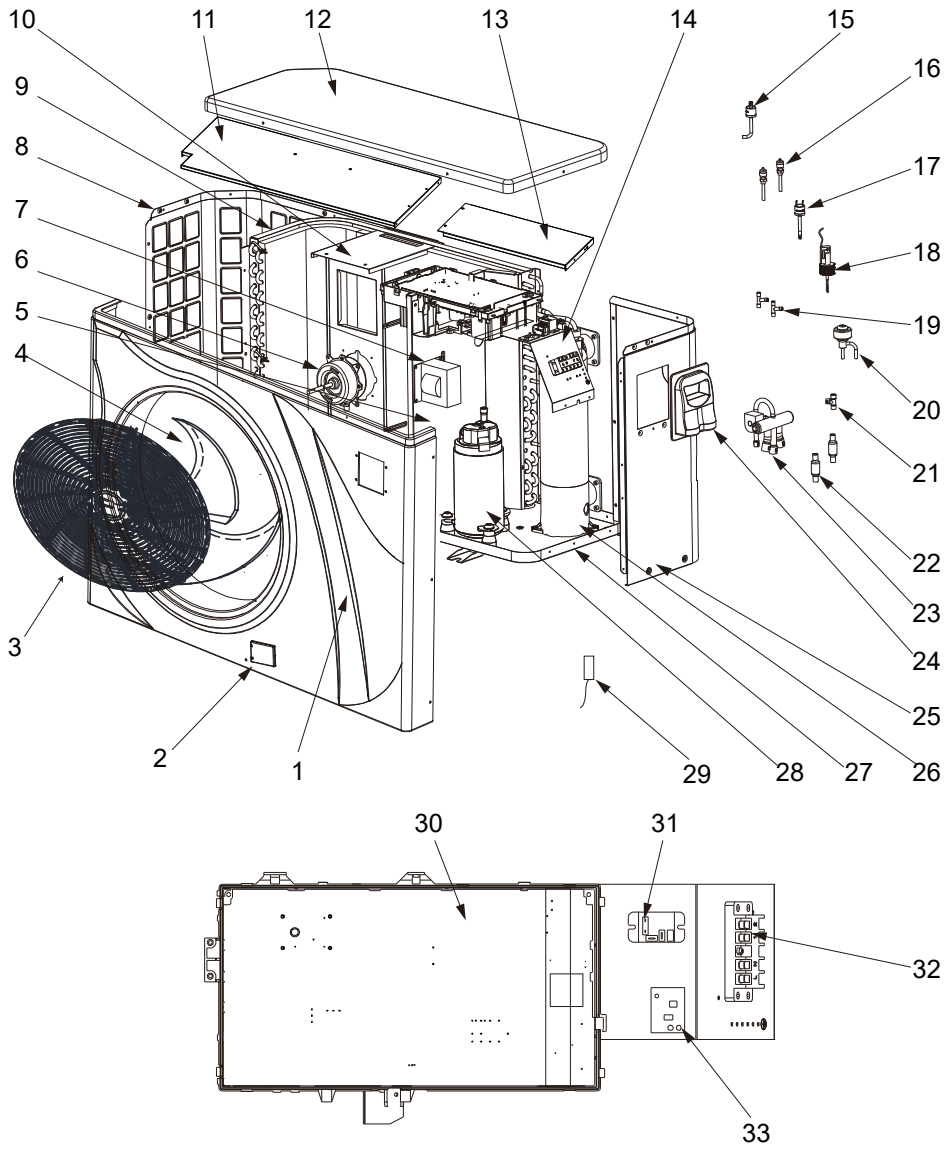


Nr.	Omschrijving	Ref.	81504	81514	81524	81534	81544
1	Paneel Voor	HWX80900556	✓	✓	✓	n.v.t.	n.v.t.
		HWX80900557	n.v.t.	n.v.t.	n.v.t.	✓	n.v.t.
		HWX80900581	n.v.t.	n.v.t.	n.v.t.	n.v.t.	✓
2	Controller 3 knoppen	HWX95005310598	✓	✓	✓	✓	✓
3	Beschermingsrooster ventilator	HWX80900375	✓	✓	✓	n.v.t.	n.v.t.
		HWX20000220369	n.v.t.	n.v.t.	n.v.t.	✓	✓
4	Ventilatorblad	HWX301030000006	✓	✓	✓	n.v.t.	n.v.t.
		HWX301030000001	n.v.t.	n.v.t.	n.v.t.	✓	✓
5	/	/	/	/	/	/	/
6	Motor ventilator DC	HWX80200018	✓	✓	✓	n.v.t.	n.v.t.
		HWX20000330132	n.v.t.	n.v.t.	n.v.t.	✓	✓
7	Spoel 16A 50Hz 5mH	HWX82500006	✓	✓	✓	n.v.t.	n.v.t.
	Spoel 20A 50Hz 5.2mH	HWX82500005	n.v.t.	n.v.t.	n.v.t.	✓	✓
8	Linkerpaneel	HWX80700446	✓	✓	✓	n.v.t.	n.v.t.
		HWX80700315	n.v.t.	n.v.t.	n.v.t.	✓	n.v.t.
		HWX80700355	n.v.t.	n.v.t.	n.v.t.	n.v.t.	✓
9	Verdamper met lamellen	HWX301060202502	✓	n.v.t.	n.v.t.	n.v.t.	n.v.t.
		HWX80600042	n.v.t.	✓	n.v.t.	n.v.t.	n.v.t.
		HWX80600043	n.v.t.	n.v.t.	✓	n.v.t.	n.v.t.
		HWX80600044	n.v.t.	n.v.t.	n.v.t.	✓	n.v.t.
		HWX80600078	n.v.t.	n.v.t.	n.v.t.	n.v.t.	✓
10	Motorsteun	HWX80700218	✓	✓	✓	n.v.t.	n.v.t.
		HWX80700248	n.v.t.	n.v.t.	n.v.t.	✓	n.v.t.
		HWX80700329	n.v.t.	n.v.t.	n.v.t.	n.v.t.	✓
11	/	/	/	/	/	/	/
12	Paneel voorkant boven	HWX80900055	✓	✓	✓	n.v.t.	n.v.t.
		HWX80900255	n.v.t.	n.v.t.	n.v.t.	✓	n.v.t.
		HWX80900371	n.v.t.	n.v.t.	n.v.t.	n.v.t.	✓
13	/	/	/	/	/	/	/
14	/	/	/	/	/	/	/
15	Drukregelaar lage druk NO 0.30MPa/0.15MPa	HWX20000360157	✓	✓	✓	✓	✓
16	Drukafsluiter 40mm 1/2"	HWX20000140150	✓	✓	✓	✓	✓
17	Drukregelaar hoge druk NC 3.2MPa/4.4MPa	HWX20013605	✓	✓	✓	✓	✓
18	Detector waterdebiet	HWX83000012	✓	✓	✓	✓	✓
19	T-schakelaar Ø6.5-2 x Ø6.5(T) x 0.75	HWX20001460	✓	✓	✓	✓	✓
20	Elektronisch reduceerventiel	HWX81000011	✓	✓	✓	n.v.t.	n.v.t.
		HWX81000013	n.v.t.	n.v.t.	n.v.t.	✓	✓
21	T-schakelaar Ø9.52-2 x Ø6.35(T) x 1.0	HWX30403000002	✓	✓	✓	✓	✓
22	Filter Ø9.7 - Ø9.7 (Ø19)	HWX20000140178	✓	✓	✓	n.v.t.	n.v.t.
	Filter Ø9.7 - Ø9.7 (Ø28)	HWX20041444	n.v.t.	n.v.t.	n.v.t.	✓	✓
23	4-wegskraan	HWX20041437	✓	✓	✓	✓	✓
24	Elektrische toegangsopening	HWX320922029	✓	✓	✓	✓	✓
25	Rechterpaneel	HWX80700445	✓	✓	✓	n.v.t.	n.v.t.
		HWX80700314	n.v.t.	n.v.t.	n.v.t.	✓	n.v.t.
		HWX80700462	n.v.t.	n.v.t.	n.v.t.	n.v.t.	✓
26	Titaancondensator / pvc	HWX80600037	✓	n.v.t.	n.v.t.	n.v.t.	n.v.t.
		HWX32012120061	n.v.t.	✓	n.v.t.	n.v.t.	n.v.t.
		HWX32012120056	n.v.t.	n.v.t.	✓	n.v.t.	n.v.t.
		HWX80600096	n.v.t.	n.v.t.	n.v.t.	✓	n.v.t.
		HWX80600075	n.v.t.	n.v.t.	n.v.t.	n.v.t.	✓
27	/	/	/	/	/	/	/
28	Compressor	HWX80100108	✓	✓	✓	n.v.t.	n.v.t.
	Compressor	HWX80100003	n.v.t.	n.v.t.	n.v.t.	✓	✓

Nr.	Omschrijving	Ref.	81504	81514	81524	81534	81544
29	Aspiratiesonde compressor 5k-560mm	HWX83000044	✓	✓	✓	n.v.t.	n.v.t.
	Aspiratiesonde compressor 5k-760mm	HWX83000053	n.v.t.	n.v.t.	n.v.t.	✓	✓
	Luchttemperatuursonde 5k-350mm	HWX83000049	✓	✓	✓	✓	✓
	Waterafvoer sonde 5k-410mm	HWX83000050	✓	✓	✓	✓	✓
	Sensor voor binnenkomend water 5k-850mm	HWX83000052	✓	✓	✓	✓	n.v.t.
	Sensor voor binnenkomend water 5k-980mm	HWX83000055	n.v.t.	n.v.t.	n.v.t.	n.v.t.	✓
	Compressor ontlading sonde 50k-660mm	HWX83000026	✓	✓	✓	✓	✓
	Ontdooisensor 5k-680mm	HWX83000051	✓	✓	✓	n.v.t.	n.v.t.
	Ontdooisensor 5k-1040mm	HWX83000045	n.v.t.	n.v.t.	n.v.t.	✓	✓
30	Elektronische driver-kaart	HWX82300052	✓	✓	✓	n.v.t.	n.v.t.
		HWX82300007	n.v.t.	n.v.t.	n.v.t.	✓	✓
31	Relais K2	HWX20000360297	✓	✓	✓	✓	✓
32	Aansluitblok L-N-GND -5 aansluitingen 4mm <sup>2</sup>	HWX40003901	✓	✓	✓	✓	✓
33	Transformator 230V~/12VDC	HWX82600008	✓	✓	✓	✓	✓

IT

81504 / 81514 / 81524 / 81534 / 81544

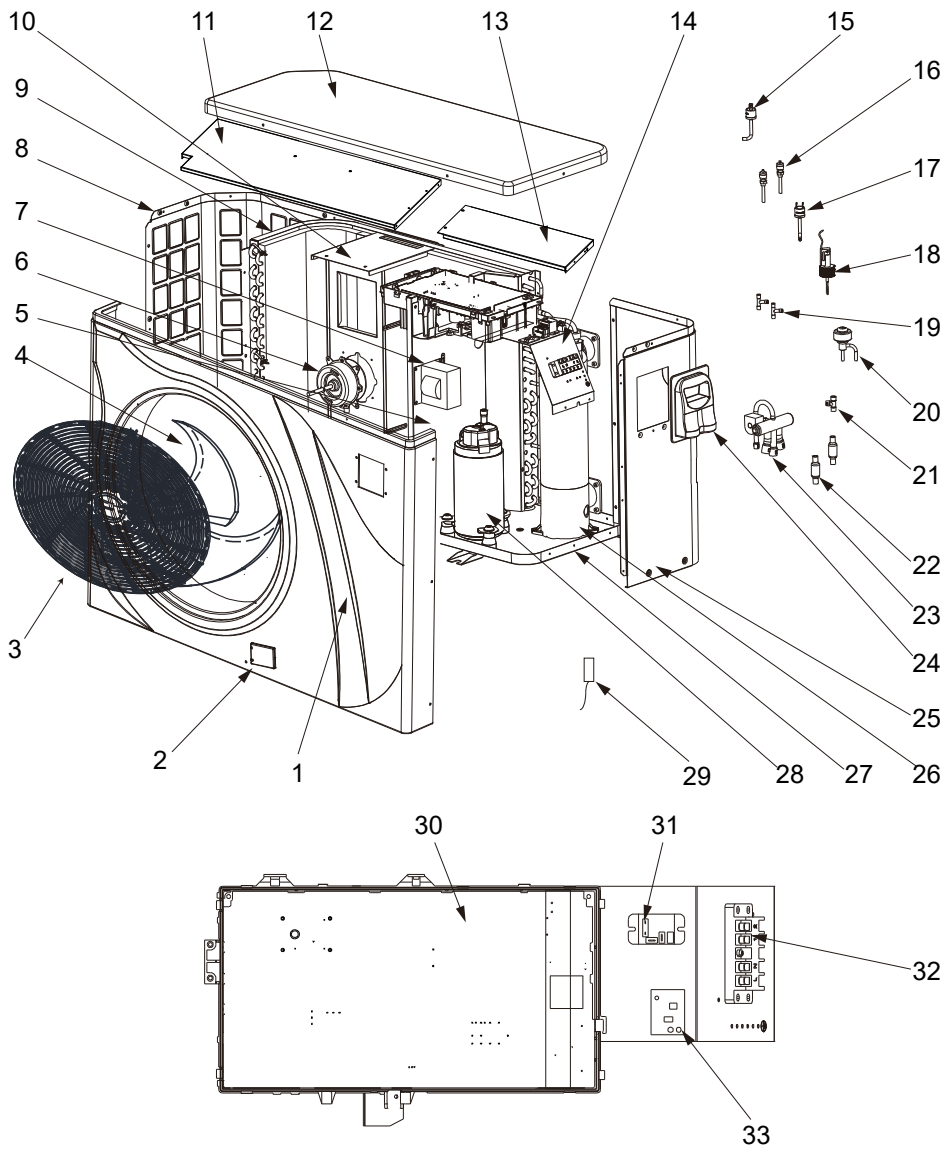


Num.	Designazione	Rif.	81504	81514	81524	81534	81544
1	Pannello anteriore	HWX80900556	✓	✓	✓	n/a	n/a
		HWX80900557	n/a	n/a	n/a	✓	n/a
		HWX80900581	n/a	n/a	n/a	n/a	✓
2	Controller 3 pulsanti	HWX95005310598	✓	✓	✓	✓	✓
3	Griglia di protezione ventilatore	HWX80900375	✓	✓	✓	n/a	n/a
		HWX20000220369	n/a	n/a	n/a	✓	✓
4	Elica ventilatore	HWX301030000006	✓	✓	✓	n/a	n/a
		HWX301030000001	n/a	n/a	n/a	✓	✓
5	/	/	/	/	/	/	/
6	Motore ventola DC	HWX80200018	✓	✓	✓	n/a	n/a
		HWX20000330132	n/a	n/a	n/a	✓	✓
7	Bobina 16A 50Hz 5mH	HWX82500006	✓	✓	✓	n/a	n/a
	Bobina 20 A 50 Hz 5.2 mH	HWX82500005	n/a	n/a	n/a	✓	✓
8	Pannello sinistro	HWX80700446	✓	✓	✓	n/a	n/a
		HWX80700315	n/a	n/a	n/a	✓	n/a
		HWX80700355	n/a	n/a	n/a	n/a	✓
9	Evaporatore a piastre	HWX301060202502	✓	n/a	n/a	n/a	n/a
		HWX80600042	n/a	✓	n/a	n/a	n/a
		HWX80600043	n/a	n/a	✓	n/a	n/a
		HWX80600044	n/a	n/a	n/a	✓	n/a
		HWX80600078	n/a	n/a	n/a	n/a	✓
10	supporto motore	HWX80700218	✓	✓	✓	n/a	n/a
		HWX80700248	n/a	n/a	n/a	✓	n/a
		HWX80700329	n/a	n/a	n/a	n/a	✓
11	/	/	/	/	/	/	/
12	Pannello anteriore superiore	HWX80900055	✓	✓	✓	n/a	n/a
		HWX80900255	n/a	n/a	n/a	✓	n/a
		HWX80900371	n/a	n/a	n/a	n/a	✓
13	/	/	/	/	/	/	/
14	/	/	/	/	/	/	/
15	Pressostato Bassa pressione NO 0.30MPa/0.15MPa	HWX20000360157	✓	✓	✓	✓	✓
16	Rilevamento Pressione 40mm 1/2"	HWX20000140150	✓	✓	✓	✓	✓
17	Pressostato Alta pressione NC 3.2MPa/4.4MPa	HWX20013605	✓	✓	✓	✓	✓
18	Rilevatore portata acqua	HWX83000012	✓	✓	✓	✓	✓
19	Connettore a T Ø6.5-2 x Ø6.5(T) x 0.75	HWX20001460	✓	✓	✓	✓	✓
20	Riduttore di pressione elettronico	HWX81000011	✓	✓	✓	n/a	n/a
		HWX81000013	n/a	n/a	n/a	✓	✓
21	Connettore a T Ø9.52-2 x Ø6.35(T) x 1.0	HWX30403000002	✓	✓	✓	✓	✓
22	Filtro Ø9.7 - Ø9.7 (Ø19)	HWX20000140178	✓	✓	✓	n/a	n/a
	Filtro Ø9.7 - Ø9.7 (Ø28)	HWX20041444	n/a	n/a	n/a	✓	✓
23	Valvola 4 vie	HWX20041437	✓	✓	✓	✓	✓
24	Portello d'accesso scatola elettrica	HWX320922029	✓	✓	✓	✓	✓
25	Pannello destro	HWX80700445	✓	✓	✓	n/a	n/a
		HWX80700314	n/a	n/a	n/a	✓	n/a
		HWX80700462	n/a	n/a	n/a	n/a	✓
26	Condensatore Titanio / PVC	HWX80600037	✓	n/a	n/a	n/a	n/a
		HWX32012120061	n/a	✓	n/a	n/a	n/a
		HWX32012120056	n/a	n/a	✓	n/a	n/a
		HWX80600096	n/a	n/a	n/a	✓	n/a
		HWX80600075	n/a	n/a	n/a	n/a	✓
27	/	/	/	/	/	/	/
28	Compressore	HWX80100108	✓	✓	✓	n/a	n/a
	Compressore	HWX80100003	n/a	n/a	n/a	✓	✓

Num.	Designazione	Rif.	81504	81514	81524	81534	81544
29	Sonda di aspirazione compressore 5k-560mm	HWX83000044	✓	✓	✓	n/a	n/a
	Sonda di aspirazione compressore 5k-760mm	HWX83000053	n/a	n/a	n/a	✓	✓
	Sonda temperatura aria 5k-350mm	HWX83000049	✓	✓	✓	✓	✓
	Sonda uscita acqua 5k-410mm	HWX83000050	✓	✓	✓	✓	✓
	Sonda temperatura acqua in ingresso 5k-850mm	HWX83000052	✓	✓	✓	✓	n/a
	Sonda temperatura acqua in ingresso 5k-980mm	HWX83000055	n/a	n/a	n/a	n/a	✓
	Sonda scarico compressore 50k-660mm	HWX83000026	✓	✓	✓	✓	✓
	Sonda antigelo 5k-680mm	HWX83000051	✓	✓	✓	n/a	n/a
	Sonda antigelo 5k-1040mm	HWX83000045	n/a	n/a	n/a	✓	✓
30	Scheda elettronica Driver	HWX82300052	✓	✓	✓	n/a	n/a
		HWX82300007	n/a	n/a	n/a	✓	✓
31	Relè K2	HWX20000360297	✓	✓	✓	✓	✓
32	Morsettiera L-N-GND -5 connessioni 4mm <sup>2</sup>	HWX40003901	✓	✓	✓	✓	✓
33	Trasformatore 230V~/12VDC	HWX82600008	✓	✓	✓	✓	✓

ru

81504 / 81514 / 81524 / 81534 / 81544



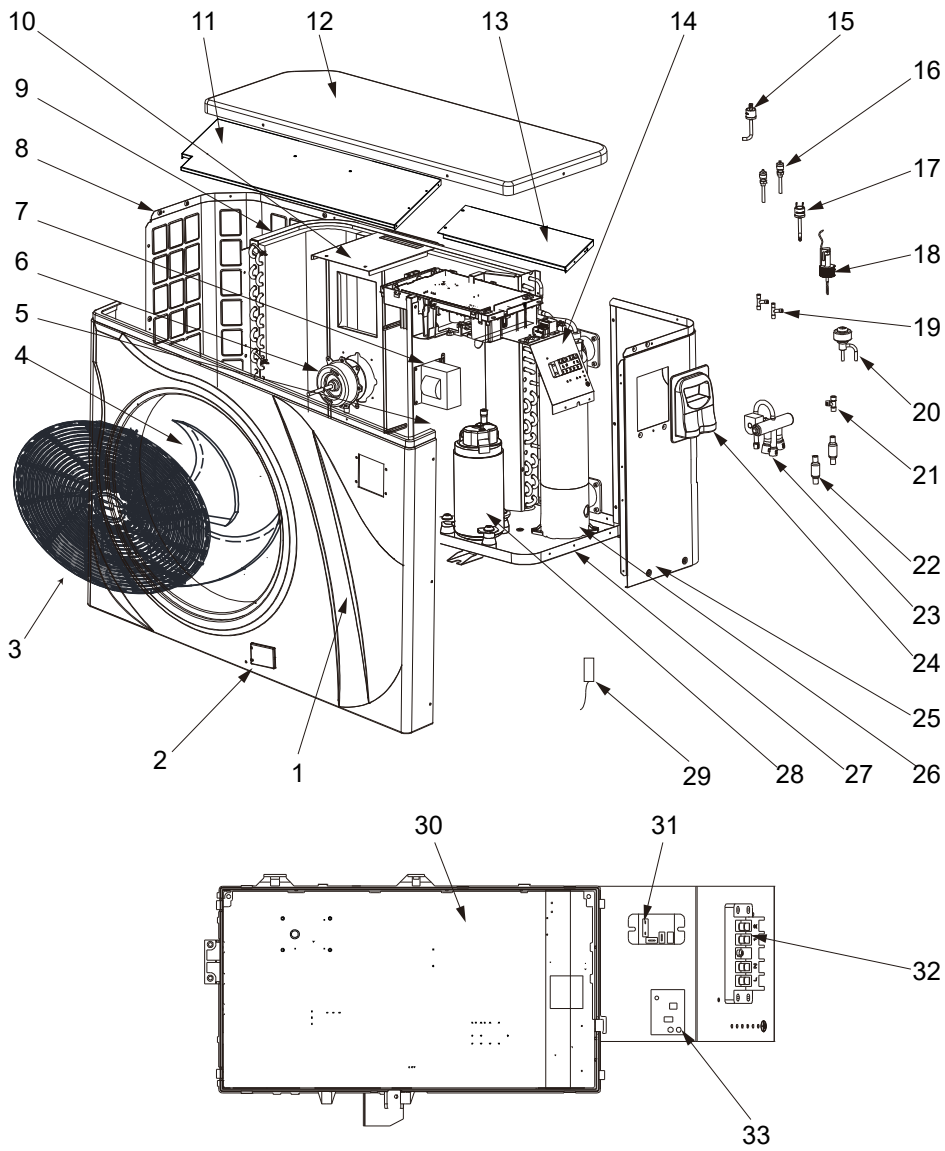
Идентификатор	Название	Справочный номер	81504	81514	81524	81534	81544
1	Панель передняя	HWX80900556	✓	✓	✓	нет данных	нет данных
		HWX80900557	нет данных	нет данных	нет данных	✓	нет данных
		HWX80900581	нет данных	нет данных	нет данных	нет данных	✓
2	3 кнопочный контроллер	HWX95005310598	✓	✓	✓	✓	✓
3	Защитная сетка вентилятора	HWX80900375	✓	✓	✓	нет данных	нет данных
		HWX20000220369	нет данных	нет данных	нет данных	✓	✓
4	Винт вентилятора	HWX30103000006	✓	✓	✓	нет данных	нет данных
		HWX30103000001	нет данных	нет данных	нет данных	✓	✓
5	/	/	/	/	/	/	/
6	Мотор вентилятора DC	HWX80200018	✓	✓	✓	нет данных	нет данных
		HWX20000330132	нет данных	нет данных	нет данных	✓	✓
7	Катушка 16 А 50 Гц 5 мГн Катушка 20 А 50 Гц 5.2 мГн	HWX82500006	✓	✓	✓	нет данных	нет данных
		HWX82500005	нет данных	нет данных	нет данных	✓	✓
8	Левая панель	HWX80700446	✓	✓	✓	нет данных	нет данных
		HWX80700315	нет данных	нет данных	нет данных	✓	нет данных
		HWX80700355	нет данных	нет данных	нет данных	нет данных	✓
9	Пластинчатый испаритель	HWX301060202502	✓	нет данных	нет данных	нет данных	нет данных
		HWX80600042	нет данных	✓	нет данных	нет данных	нет данных
		HWX80600043	нет данных	нет данных	✓	нет данных	нет данных
		HWX80600044	нет данных	нет данных	нет данных	✓	нет данных
		HWX80600078	нет данных	нет данных	нет данных	нет данных	✓
10	Опора двигателя	HWX80700218	✓	✓	✓	нет данных	нет данных
		HWX80700248	нет данных	нет данных	нет данных	✓	нет данных
		HWX80700329	нет данных	нет данных	нет данных	нет данных	✓
11	/	/	/	/	/	/	/
12	Верхняя передняя панель	HWX80900055	✓	✓	✓	нет данных	нет данных
		HWX80900255	нет данных	нет данных	нет данных	✓	нет данных
		HWX80900371	нет данных	нет данных	нет данных	нет данных	✓
13	/	/	/	/	/	/	/
14	/	/	/	/	/	/	/
15	Реле низкого давления NO 0.30MPa/0.15MPa	HWX20000360157	✓	✓	✓	✓	✓
16	Замер давления 40 мм 1/2 дюйма	HWX20000140150	✓	✓	✓	✓	✓
17	Реле высокого давления NC 3.2MPa/4.4MPa	HWX20013605	✓	✓	✓	✓	✓
18	Детектор пропускной способности	HWX83000012	✓	✓	✓	✓	✓
19	T-образный коннектор Ø6,5-2 x Ø6,5(T) x 0,75	HWX20001460	✓	✓	✓	✓	✓
20	Электронный редуктор	HWX81000011	✓	✓	✓	нет данных	нет данных
		HWX81000013	нет данных	нет данных	нет данных	✓	✓
21	T-образный коннектор Ø9,52-2 x Ø6,35(T) x 1,0	HWX30403000002	✓	✓	✓	✓	✓
22	Фильтр Ø9,7 - Ø9,7 (Ø19) Фильтр Ø9,7 - Ø9,7 (Ø28)	HWX20000140178	✓	✓	✓	нет данных	нет данных
		HWX20041444	нет данных	нет данных	нет данных	✓	✓
23	4-ходовой клапан	HWX20041437	✓	✓	✓	✓	✓
24	Трапп автоматизированные	HWX320922029	✓	✓	✓	✓	✓
25	Правая панель	HWX80700445	✓	✓	✓	нет данных	нет данных
		HWX80700314	нет данных	нет данных	нет данных	✓	нет данных
		HWX80700462	нет данных	нет данных	нет данных	нет данных	✓
26	Конденсатор Titane/ПВХ	HWX80600037	✓	нет данных	нет данных	нет данных	нет данных
		HWX32012120061	нет данных	✓	нет данных	нет данных	нет данных
		HWX32012120056	нет данных	нет данных	✓	нет данных	нет данных
		HWX80600096	нет данных	нет данных	нет данных	✓	нет данных
		HWX80600075	нет данных	нет данных	нет данных	нет данных	✓
27	/	/	/	/	/	/	/
28	Компрессор	HWX80100108	✓	✓	✓	нет данных	нет данных
		HWX80100003	нет данных	нет данных	нет данных	✓	✓



Индикатор	Название	Справочный номер	81504	81514	81524	81534	81544
29	Датчик всасывания компрессора 5к-560mm	HVX83000044	✓	✓	✓	нет данных	нет данных
	Датчик всасывания компрессора 5к-760mm	HVX83000053	нет данных	нет данных	нет данных	✓	✓
	Датчик температуры воздуха 5к-350mm	HVX83000049	✓	✓	✓	✓	✓
	Воды на выходе зонда 5к-410mm	HVX83000050	✓	✓	✓	✓	✓
	Воды на входе зонда 5к-850mm	HVX83000052	✓	✓	✓	✓	нет данных
	Воды на входе зонда 5к-980mm	HVX83000055	нет данных	нет данных	нет данных	нет данных	✓
	датчик нагнетания компрессора 50к-660mm	HVX83000026	✓	✓	✓	✓	✓
	Датчик размораживания 5к-680mm	HVX83000051	✓	✓	✓	нет данных	нет данных
30	Управляющая электронная плата	HVX82300052	✓	✓	✓	нет данных	нет данных
		HVX82300007	нет данных	нет данных	нет данных	✓	✓
31	Реле К2	HVX20000360297	✓	✓	✓	✓	✓
32	Переходник, L-N-GND -5-х контактный 4mm <sup>2</sup>	HVX40003901	✓	✓	✓	✓	✓
33	Трансформатор 230 В~/12 BDC	HVX82600008	✓	✓	✓	✓	✓

SE

81504 / 81514 / 81524 / 81534 / 81544

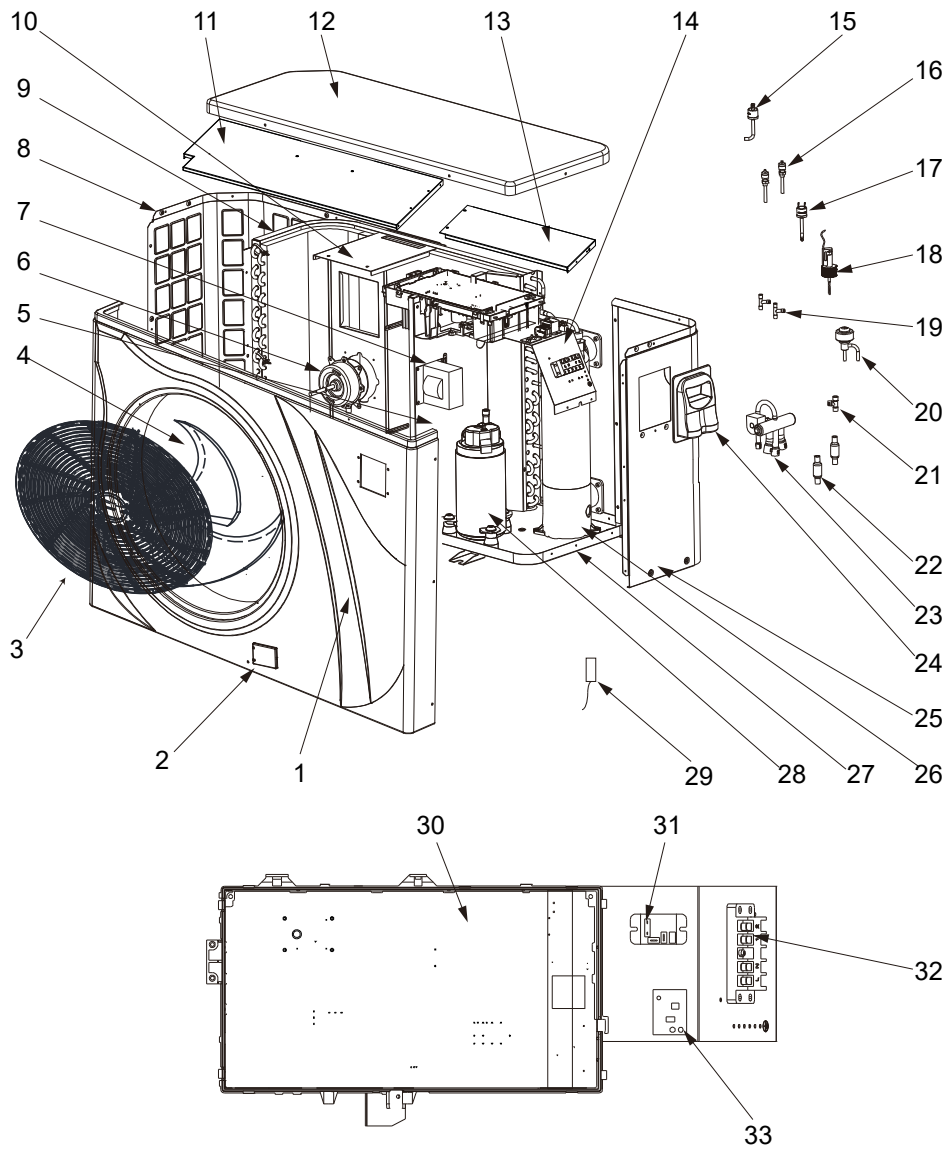


Hänv.	Beteckning	Ref.	81504	81514	81524	81534	81544
1	Främre panel	HWX80900556	✓	✓	✓	ej tillämpligt	ej tillämpligt
		HWX80900557	ej tillämpligt	ej tillämpligt	ej tillämpligt	✓	ej tillämpligt
		HWX80900581	ej tillämpligt	ej tillämpligt	ej tillämpligt	ej tillämpligt	✓
2	Styrenhet med 3 knappar	HWX95005310598	✓	✓	✓	✓	✓
3	Fläktens skyddsgaller	HWX80900375	✓	✓	✓	ej tillämpligt	ej tillämpligt
		HWX20000220369	ej tillämpligt	ej tillämpligt	ej tillämpligt	✓	✓
4	Fläktpropell	HWX301030000006	✓	✓	✓	ej tillämpligt	ej tillämpligt
		HWX301030000001	ej tillämpligt	ej tillämpligt	ej tillämpligt	✓	✓
5	/	/	/	/	/	/	/
6	Fläktmotor DC	HWX80200018	✓	✓	✓	ej tillämpligt	ej tillämpligt
		HWX20000330132	ej tillämpligt	ej tillämpligt	ej tillämpligt	✓	✓
7	Spole 16A 50Hz 5mH Spole 20A 50Hz 5.2mH	HWX82500006	✓	✓	✓	ej tillämpligt	ej tillämpligt
		HWX82500005	ej tillämpligt	ej tillämpligt	ej tillämpligt	✓	✓
8	Panel vänster	HWX80700446	✓	✓	✓	ej tillämpligt	ej tillämpligt
		HWX80700315	ej tillämpligt	ej tillämpligt	ej tillämpligt	✓	ej tillämpligt
		HWX80700355	ej tillämpligt	ej tillämpligt	ej tillämpligt	ej tillämpligt	✓
9	Vingförsedd förångare	HWX301060202502	✓	ej tillämpligt	ej tillämpligt	ej tillämpligt	ej tillämpligt
		HWX80600042	ej tillämpligt	✓	ej tillämpligt	ej tillämpligt	ej tillämpligt
		HWX80600043	ej tillämpligt	ej tillämpligt	✓	ej tillämpligt	ej tillämpligt
		HWX80600044	ej tillämpligt	ej tillämpligt	ej tillämpligt	✓	ej tillämpligt
		HWX80600078	ej tillämpligt	ej tillämpligt	ej tillämpligt	ej tillämpligt	✓
10	Motorstöd	HWX80700218	✓	✓	✓	ej tillämpligt	ej tillämpligt
		HWX80700248	ej tillämpligt	ej tillämpligt	ej tillämpligt	✓	ej tillämpligt
		HWX80700329	ej tillämpligt	ej tillämpligt	ej tillämpligt	ej tillämpligt	✓
11	/	/	/	/	/	/	
12	Övre panel	HWX80900055	✓	✓	✓	ej tillämpligt	ej tillämpligt
		HWX80900255	ej tillämpligt	ej tillämpligt	ej tillämpligt	✓	ej tillämpligt
		HWX80900371	ej tillämpligt	ej tillämpligt	ej tillämpligt	ej tillämpligt	✓
13	/	/	/	/	/	/	
14	/	/	/	/	/	/	
15	Pressostat lågt tryck NO 0.30MPa/0.15MPa	HWX20000360157	✓	✓	✓	✓	✓
16	Tryckuttag 40mm -1/2"	HWX20000140150	✓	✓	✓	✓	✓
17	Pressostat högt tryck NO 3.2MPa/4.4MPa	HWX20013605	✓	✓	✓	✓	✓
18	Vattenflödesdetektor	HWX83000012	✓	✓	✓	✓	✓
19	Kontakt T ø6.5-2 x ø6.5(T) x 0.75	HWX20001460	✓	✓	✓	✓	✓
20	Elektronisk tryckregulator	HWX81000011	✓	✓	✓	ej tillämpligt	ej tillämpligt
		HWX81000013	ej tillämpligt	ej tillämpligt	ej tillämpligt	✓	✓
21	Kontakt T ø9.52-2 x ø6.35(T) x 1.0	HWX30403000002	✓	✓	✓	✓	✓
22	Filter ø9.7-ø9.7 (Ø19) Filter ø9.7-ø9.7 (Ø28)	HWX20000140178	✓	✓	✓	ej tillämpligt	ej tillämpligt
		HWX20041444	ej tillämpligt	ej tillämpligt	ej tillämpligt	✓	✓
23	Fyrvägsventil	HWX20041437	✓	✓	✓	✓	✓
24	Elektrisk tillträdeslucka	HWX320922029	✓	✓	✓	✓	✓
25	Panel höger	HWX80700445	✓	✓	✓	ej tillämpligt	ej tillämpligt
		HWX80700314	ej tillämpligt	ej tillämpligt	ej tillämpligt	✓	ej tillämpligt
		HWX80700462	ej tillämpligt	ej tillämpligt	ej tillämpligt	ej tillämpligt	✓
26	Kondensor av titan PVC	HWX80600037	✓	ej tillämpligt	ej tillämpligt	ej tillämpligt	ej tillämpligt
		HWX32012120061	ej tillämpligt	✓	ej tillämpligt	ej tillämpligt	ej tillämpligt
		HWX32012120056	ej tillämpligt	ej tillämpligt	✓	ej tillämpligt	ej tillämpligt
		HWX80600096	ej tillämpligt	ej tillämpligt	ej tillämpligt	✓	ej tillämpligt
		HWX80600075	ej tillämpligt	ej tillämpligt	ej tillämpligt	ej tillämpligt	✓
27	/	/	/	/	/	/	
28	Kompressor	HWX80100108	✓	✓	✓	ej tillämpligt	ej tillämpligt
		HWX80100003	ej tillämpligt	ej tillämpligt	ej tillämpligt	✓	✓

Hänv.	Beteckning	Ref.	81504	81514	81524	81534	81544
	Sugsond till kompressor 5k-560mm	HWX83000044	✓	✓	✓	ej tillämpligt	ej tillämpligt
	Sugsond till kompressor 5k-760mm	HWX83000053	ej tillämpligt	ej tillämpligt	ej tillämpligt	✓	✓
	Sugsond till luft 5k-350mm	HWX83000049	✓	✓	✓	✓	✓
	Sond till vattenutlopp 5k-410mm	HWX83000050	✓	✓	✓	✓	✓
29	Sond till vatteninlopp 5k-850mm	HWX83000052	✓	✓	✓	✓	ej tillämpligt
	Sond till vatteninlopp 5k-980mm	HWX83000055	ej tillämpligt	ej tillämpligt	ej tillämpligt	ej tillämpligt	✓
	Utloppssond till kompressor 50k-660mm	HWX83000026	✓	✓	✓	✓	✓
	Avfrostningssond 5k-680mm	HWX83000051	✓	✓	✓	ej tillämpligt	ej tillämpligt
	Avfrostningssond 5k-1040mm	HWX83000045	ej tillämpligt	ej tillämpligt	ej tillämpligt	✓	✓
30	Elektroniskt kort Driver	HWX82300052	✓	✓	✓	ej tillämpligt	ej tillämpligt
		HWX82300007	ej tillämpligt	ej tillämpligt	ej tillämpligt	✓	✓
31	Relä K2	HWX20000360297	✓	✓	✓	✓	✓
32	Anslutningsplint L-N-GND -5 anslutningar 4mm <sup>2</sup>	HWX40003901	✓	✓	✓	✓	✓
33	Transformator 230V~/12DC	HWX82600008	✓	✓	✓	✓	✓

NO

81504 / 81514 / 81524 / 81534 / 81544



Nr.	Betegnelse	Ref.	81504	81514	81524	81534	81544
1	Fremre panel	HWX80900556	✓	✓	✓	Gjelder ikke	Gjelder ikke
		HWX80900557	Gjelder ikke	Gjelder ikke	Gjelder ikke	✓	Gjelder ikke
		HWX80900581	Gjelder ikke	Gjelder ikke	Gjelder ikke	Gjelder ikke	✓
2	Controller med 3 knapper	HWX95005310598	✓	✓	✓	✓	✓
3	Beskyttelsesgitter for viften	HWX80900375	✓	✓	✓	Gjelder ikke	Gjelder ikke
		HWX20000220369	Gjelder ikke	Gjelder ikke	Gjelder ikke	✓	✓
4	Vifteprorell	HWX301030000006	✓	✓	✓	Gjelder ikke	Gjelder ikke
		HWX301030000001	Gjelder ikke	Gjelder ikke	Gjelder ikke	✓	✓
5	/	/	/	/	/	/	/
6	Viftemotor DC	HWX80200018	✓	✓	✓	Gjelder ikke	Gjelder ikke
		HWX20000330132	Gjelder ikke	Gjelder ikke	Gjelder ikke	✓	✓
7	Spole 16A 50Hz 5mH Spole 20A 50Hz 5.2mH	HWX82500006	✓	✓	✓	Gjelder ikke	Gjelder ikke
		HWX82500005	Gjelder ikke	Gjelder ikke	Gjelder ikke	✓	✓
8	Venstre panel	HWX80700446	✓	✓	✓	Gjelder ikke	Gjelder ikke
		HWX80700315	Gjelder ikke	Gjelder ikke	Gjelder ikke	✓	Gjelder ikke
		HWX80700355	Gjelder ikke	Gjelder ikke	Gjelder ikke	Gjelder ikke	✓
9	Vinget fordamper	HWX301060202502	✓	Gjelder ikke	Gjelder ikke	Gjelder ikke	Gjelder ikke
		HWX80600042	Gjelder ikke	✓	Gjelder ikke	Gjelder ikke	Gjelder ikke
		HWX80600043	Gjelder ikke	Gjelder ikke	✓	Gjelder ikke	Gjelder ikke
		HWX80600044	Gjelder ikke	Gjelder ikke	Gjelder ikke	✓	Gjelder ikke
		HWX80600078	Gjelder ikke	Gjelder ikke	Gjelder ikke	Gjelder ikke	✓
10	Motorstøtte	HWX80700218	✓	✓	✓	Gjelder ikke	Gjelder ikke
		HWX80700248	Gjelder ikke	Gjelder ikke	Gjelder ikke	✓	Gjelder ikke
		HWX80700329	Gjelder ikke	Gjelder ikke	Gjelder ikke	Gjelder ikke	✓
11	/	/	/	/	/	/	/
12	Øvre frontpanel	HWX80900055	✓	✓	✓	Gjelder ikke	Gjelder ikke
		HWX80900255	Gjelder ikke	Gjelder ikke	Gjelder ikke	✓	Gjelder ikke
		HWX80900371	Gjelder ikke	Gjelder ikke	Gjelder ikke	Gjelder ikke	✓
13	/	/	/	/	/	/	/
14	/	/	/	/	/	/	/
15	Strømningsbegrenser NO 0.30MPa/0.15MPa	HWX20000360157	✓	✓	✓	✓	✓
16	Trykktilkobling 40mm, 1/2"	HWX20000140150	✓	✓	✓	✓	✓
17	Høytrykkspressostat NC 3.2MPa/4.4MPa	HWX20013605	✓	✓	✓	✓	✓
18	Sensor for vannstrømning	HWX83000012	✓	✓	✓	✓	✓
19	T-formet connector Ø6.5-2 x Ø6.5(T) x 0.75	HWX20001460	✓	✓	✓	✓	✓
20	Elektronisk ekspansjonsventil	HWX81000011	✓	✓	✓	Gjelder ikke	Gjelder ikke
		HWX81000013	Gjelder ikke	Gjelder ikke	Gjelder ikke	✓	✓
21	T-formet connector Ø9.52-2 xØ6.35(T) x 1.0	HWX30403000002	✓	✓	✓	✓	✓
22	Filter Ø9.7 - Ø9.7 (Ø19) Filter Ø9.7 - Ø9.7 (Ø28)	HWX20000140178	✓	✓	✓	Gjelder ikke	Gjelder ikke
		HWX20041444	Gjelder ikke	Gjelder ikke	Gjelder ikke	✓	✓
23	4-veisventil	HWX20041437	✓	✓	✓	✓	✓
24	Trappe elektrisk tilgang	HWX320922029	✓	✓	✓	✓	✓
25	Høyre panel	HWX80700445	✓	✓	✓	Gjelder ikke	Gjelder ikke
		HWX80700314	Gjelder ikke	Gjelder ikke	Gjelder ikke	✓	Gjelder ikke
		HWX80700462	Gjelder ikke	Gjelder ikke	Gjelder ikke	Gjelder ikke	✓
26	Kondensator Titanium/PVC	HWX80600037	✓	Gjelder ikke	Gjelder ikke	Gjelder ikke	Gjelder ikke
		HWX32012120061	Gjelder ikke	✓	Gjelder ikke	Gjelder ikke	Gjelder ikke
		HWX32012120056	Gjelder ikke	Gjelder ikke	✓	Gjelder ikke	Gjelder ikke
		HWX80600096	Gjelder ikke	Gjelder ikke	Gjelder ikke	✓	Gjelder ikke
		HWX80600075	Gjelder ikke	Gjelder ikke	Gjelder ikke	Gjelder ikke	✓
27	/	/	/	/	/	/	/
28	Kompressor Kompressor	HWX80100108	✓	✓	✓	Gjelder ikke	Gjelder ikke
		HWX80100003	Gjelder ikke	Gjelder ikke	Gjelder ikke	✓	✓

Nr.	Betegnelsen	Ref.	81504	81514	81524	81534	81544
	Kompressorsugesonde 5k-560mm	HWX83000044	✓	✓	✓	Gjelder ikke	Gjelder ikke
	Kompressorsugesonde 5k-760mm	HWX83000053	Gjelder ikke	Gjelder ikke	Gjelder ikke	✓	✓
	Lufttemperatur probe 5k-350mm	HWX83000049	✓	✓	✓	✓	✓
	Vannuttak probe 5k-410mm	HWX83000050	✓	✓	✓	✓	✓
29	Vanninntak probe 5k-850mm	HWX83000052	✓	✓	✓	✓	Gjelder ikke
	Vanninntak probe 5k-980mm	HWX83000055	Gjelder ikke	Gjelder ikke	Gjelder ikke	Gjelder ikke	✓
	Kompressorutladningssonde 50k-660mm	HWX83000026	✓	✓	✓	✓	✓
	Avrimings sensor 5k-680mm	HWX83000051	✓	✓	✓	Gjelder ikke	Gjelder ikke
	Avrimings sensor 5k-1040mm	HWX83000045	Gjelder ikke	Gjelder ikke	Gjelder ikke	✓	✓
30	Elektronisk Driver-kort	HWX82300052	✓	✓	✓	Gjelder ikke	Gjelder ikke
		HWX82300007	Gjelder ikke	Gjelder ikke	Gjelder ikke	✓	✓
31	Relé K2	HWX20000360297	✓	✓	✓	✓	✓
32	Terminal L-N-GND -5 tilkoplinger 4mm <sup>2</sup>	HWX40003901	✓	✓	✓	✓	✓
33	Transformator 230V~/12VDC	HWX82600008	✓	✓	✓	✓	✓